

Project	
Date	
Prepared By	
Model #	HBU20040B5

Specifications

ELECTRICAL

Watts: 200
Voltage: 120-347VAC
Power Factor: ≥ 0.9
THD: $\leq 20\%$
Operating Temp. Range:
 -40°C (-4°F) to 55°C (122°F)

LIGHT

Initial Lumens: 28000
Lumens per Watt: 140
Color Temperature: 4000K
CRI: 80+
Dimming: 0-10V

AGENCY APPROVALS

UL/cUL: Yes
RoHS: Yes
DLC® Premium: Yes

PRODUCT DETAILS

Housing:
 Die-cast Aluminium
Warranty: 5 years
Fixture
Rated Life: 50,000 hours
Weight: 5.95 LBS
Dimensions:
 13.78" Diameter
 8.27" Height

UFO LED Highbay

28000 Lumens, 200 Watt, 4000K



ORDER CODE:

11515

MODEL NUMBER:

HBU20040B5

DLC PRODUCT ID:

PLPVLA23F0HA

REBATE AVAILABILITY*

PRODUCT DESCRIPTION

EarthTronics LED Highbay delivers excellent energy savings then replacing up to a 400 watt HID fixtures. This 200 watt fixture has a 11.42" diameter design and produces 28000 lumens which is suitable for 15-25' mounting heights. It features 4000K color temperature with a high 80+ CRI providing excellent visual acuity for accuracy when working in manufacturing and warehousing applications. The die-cast housing combined with the unique open center ventilated LED array afford excellent heat dissipation providing high lumen maintenance over its service life. IP65 rated for exposed applications. Powder coat finish and stainless steel screws provide for corrosion resistant operation. 0-10V dimming standard and compatible with several controls. High quality LED chips provide for excellent lumen maintenance. DLC® Premium listed.

LIGHTING CONTROLS

- + Easy twist install microwave sensor
- + Powerful 5.8ghz sensor for range of 45+ feet
- + Easy programming by remote
- + Functions include daylight harvesting, hold time, dim to off
- + Equipped with 12VDC for Networked Lighting Controls

PRODUCT FEATURES

- + 100-347VAC 50-60Hz
- + 4kV Surge Protection built in
- + Ships with standard 6' 18/3 SJT whip and mounting hook
- + Corrosion resistant finish and screws
- + IP65 wet location rated
- + NSF certified (for food safety, food processing)
- + Polycarbonate lens is IK08 rated
- + DLC® Technical Requirement 5.1

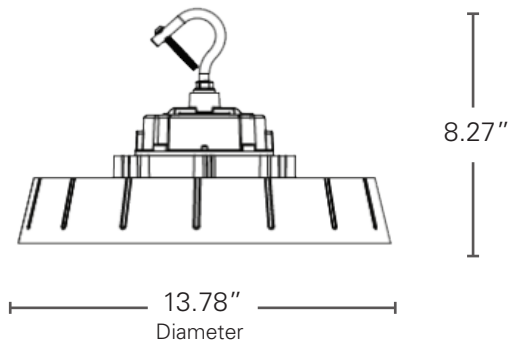
APPLICATIONS

- + Warehouse
- + Manufacturing Facility
- + Auditorium
- + Gymnasium

Please consult installation instructions for proper application and use of this fixture.

*Rebate availability access it here: www.earthtronics.com/rebate-finder

PRODUCT DIMENSIONS



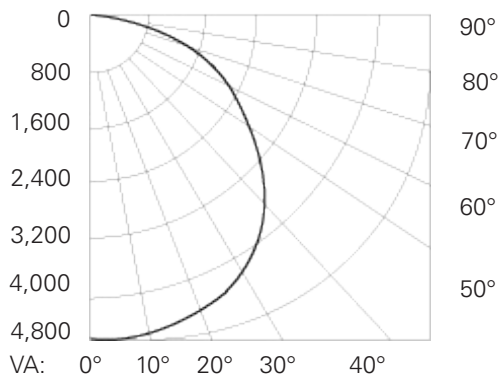
PACKAGE DETAILS

Dimensions: 15.75" x 15.75" x 8.27"

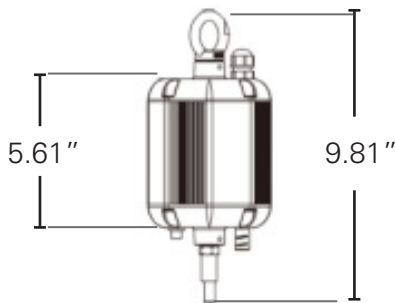
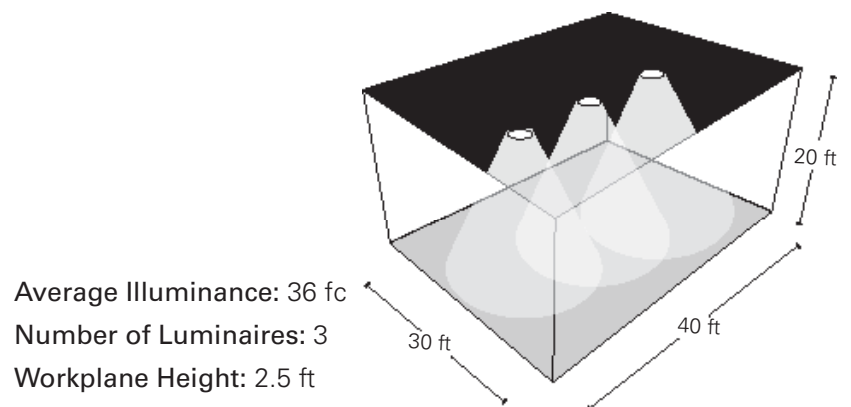
Weight: 11.25 LBS

UPC: 840791115152

LIGHT DISTRIBUTION CURVE



LIGHTING LAYOUT



Emergency Backup Driver
Order Code: 11499

OPTIONAL ACCESSORIES



Microwave Motion Sensor
Order Code: 11480



Remote Control for Sensor
Order Code: 11481

Easily access our DLC qualified products with rebates in your area.

ACCESS IT HERE: [Rebate Finder - Highbay UFO](#)

www.earthtronics.com/rebate-finder/catalog/

