

Project	
Date	
Prepared By	
Model #	HBU20040B1

Specifications

ELECTRICAL

Watts: 200

Voltage: 100-277VAC

Power Factor: ≥ 0.9

THD: $\leq 20\%$

Operating Temp. Range:
-40°C (-4°F) to 55°C (122°F)

LIGHT

Initial Lumens: 28000

Lumens per Watt: 140

Color Temperature: 4000K

CRI: 80+

Dimming: 0-10V

AGENCY APPROVALS

UL/cUL: Yes

RoHS/ NSF: Yes

DLC® Premium: Yes

PRODUCT DETAILS

Housing:

Die-cast Aluminum

Warranty: 5 years

Fixture

Rated Life: 50,000 hours

Weight: 5.95 LBS

Dimensions:

13.78" Diameter

8.27" Height

UFO LED Highbay

28000 Lumens, 200 Watt, 4000K



ORDER CODE:

11476

MODEL NUMBER:

HBU20040B1

DLC PRODUCT ID:

PL480I7X112V

REBATE AVAILABILITY*

PRODUCT DESCRIPTION

EarthTronics LED Highbay delivers excellent energy savings then replacing up to a 400 watt HID fixtures. This 200 watt fixture has a 13.78" diameter design and produces 28000 lumens which is suitable for 15-25' mounting heights. It features 4000K color temperature with a high 80+ CRI providing excellent visual acuity for accuracy when working in manufacturing and warehousing applications. The die-cast housing combined with the unique open center ventilated LED array afford excellent heat dissipation providing high lumen maintenance over its service life. IP65 rated for exposed applications. Powder coat finish and stainless steel screws provide for corrosion resistant operation. 0-10V dimming standard and compatible with several controls. High quality LED chips provide for excellent lumen maintenance. IK08 Protected against 5 joules of impact. DLC® Premium listed.

LIGHTING CONTROLS

- + Easy twist install microwave sensor
- + Powerful 5.8ghz sensor for range of 45+ feet
- + Easy programming by remote
- + Functions include daylight harvesting, hold time, dim to off
- + Equipped with 12VDC for Networked Lighting Controls

PRODUCT FEATURES

- + 100-277 VAC 50-60Hz
- + Ships with polycarbonate lens
- + 4kV Surge Protection built in
- + Ships with standard 6' 18/3 SJT whip and mounting hook
- + IK08 impact rated
- + IP65 wet location rated
- + 0-10V dimming (pre-wired)
- + Corrosion resistant finish and screws
- + NSF certified (for food safety, food processing)
- + DLC® Technical Requirement 5.1

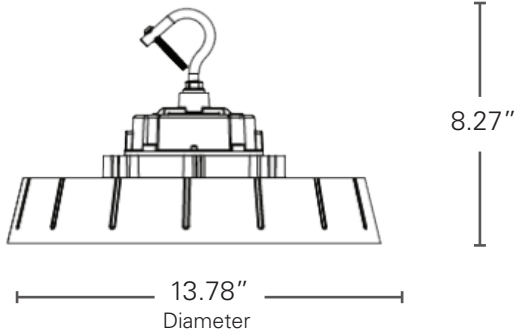
APPLICATIONS

- + Warehouse
- + Manufacturing Facility
- + Auditorium
- + Gymnasium

Please consult installation instructions for proper application and use of this fixture.

*Rebate availability access it here: www.earthtronics.com/rebate-finder

PRODUCT DIMENSIONS



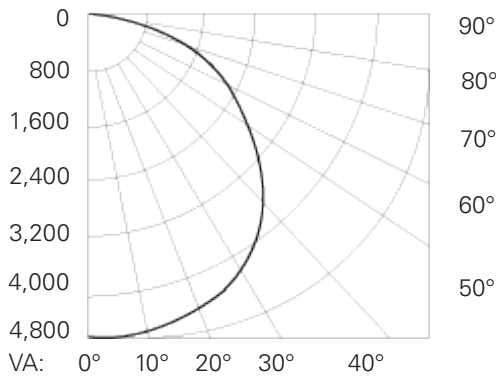
PACKAGE DETAILS

Dimensions: 15.75" x 15.75" x 8.27"

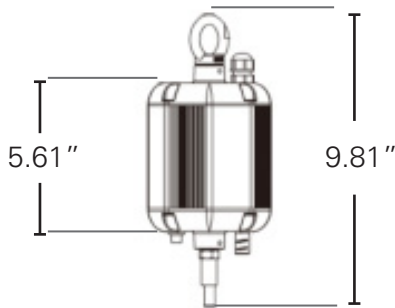
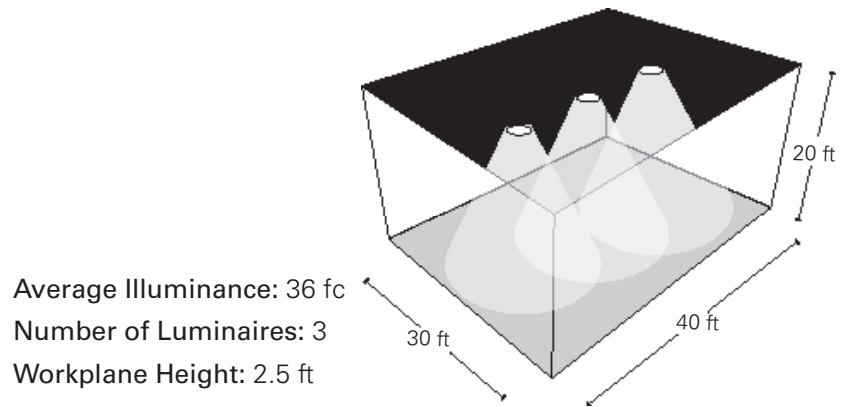
Weight: 10.81 LBS

UPC: 840791114766

LIGHT DISTRIBUTION CURVE



LIGHTING LAYOUT



Emergency Backup Driver
Order Code: 11499

OPTIONAL ACCESSORIES



Microwave Motion Sensor
Order Code: 11480



Remote Control for Sensor
Order Code: 11481

Easily access our DLC qualified products with rebates in your area.

ACCESS IT HERE: [Rebate Finder - Highbay UFO](#)

www.earthtronics.com/rebate-finder/catalog/

