

LED Wall Pack

LED Mini Wall Pack 12W 1590 Lumens 4000K



PRODUCT DESCRIPTION

EarthTronics Mini LED Wall Packs provide exterior, wide-flood area illumination for commercial, industrial and municipal facilities. The durable die cast aluminum housing is powder coated to maintain the fixture appearance for several years. This 12 watt wall pack operates at 133 lumens per watt efficiency and provides 1590 lumens. This 12 watt LED Wall Pack comes with a dusk to dawn sensor already installed and is built to withstand all climates and allows for an extreme temperature range, even operating down to -40 degrees C°, and is IP65 approved for outdoor wet applications. 4000K color of light and the high 80+ CRI provide bright illumination. Accepts 100 – 277 volt AC power supply. The long 50,000 hour rated life is backed up with a 10 year limited warranty. The wall pack fixture requires a properly anchored UL recognized junction box for proper installation. DLC Premium listed product.

PRODUCT FEATURES

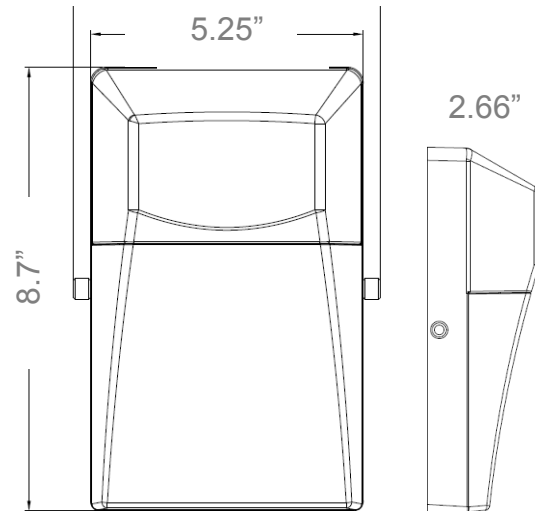
- DLC Premium listed product
- High Quality Die Cast Aluminum Housing
- Durable bronze powder coat finish
- Suited for wall mounting to provide a wide flood area
- IP65 rated for wet location use
- 120-277 volt constant current driver
- Photocell installed
- 50,000 hour rated life

DIMENSIONS:

- Height: 8.7 inches
- Length: 5.25 inches
- Width: 2.66 inches

WEIGHT: 1.98 lbs

UPC: 840791110560



ORDER CODE: 11056

MODEL #: WPM150040BK1

DLC PRODUCT ID: PLRU9SA81JZA

CAUTION : If the fixture is to be removed or replaced, please ensure that they electricity is switched off and that the fitting is cool before touching it

Electrical	
Watt	12
Voltage	100-277V
Power Factor	>0.9
Min. Start Temperature	-40°F
Max. Operating Temperature	122°F
Light	
Initial Lumens	1590
Lumens per Watt	133
Color Temperature	4000K
Color Rendering (CRI)	80+
Beam Angle	120°
Agency Approvals	
DLC Premium	Yes
FCC / ETL	Yes
Product Details	
Housing Material	Aluminum
Lens Material	Acrylic
Warranty	5 year 10 year limited
Rated Life	50,000 hours